

Ecostat E

Shower thermostat for exposed installation

Surfaces: **Chrome** Article Number: **15773000**



Description

product features

- 1 outlet
- CoolContact thermostat: Prevents the housing from heating up, making showering even safer
- EcoStop button limits the water consumption to 9 l/min
- maximum flow rate at 0.3 MPa: 28.6 l/min
- safety lock at 40° C
- suitable for continuous flow water heaters
- connection type: s-shaped connections
- dirt filter included
- scope of supply: shower thermostat, S-connections, mounting material, assembly instruction

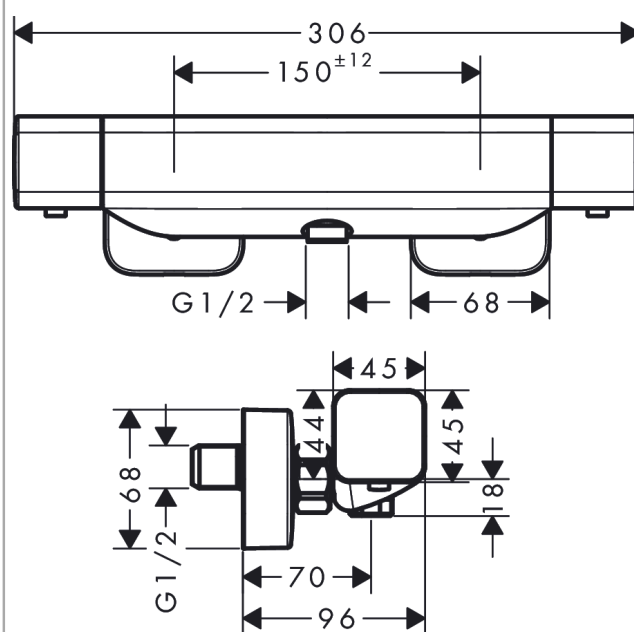
Technology



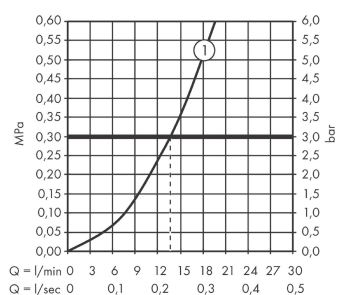
Product image



Scale drawing



Flowchart



Shower outlet with 1B-resistance