

Sanitary Systems

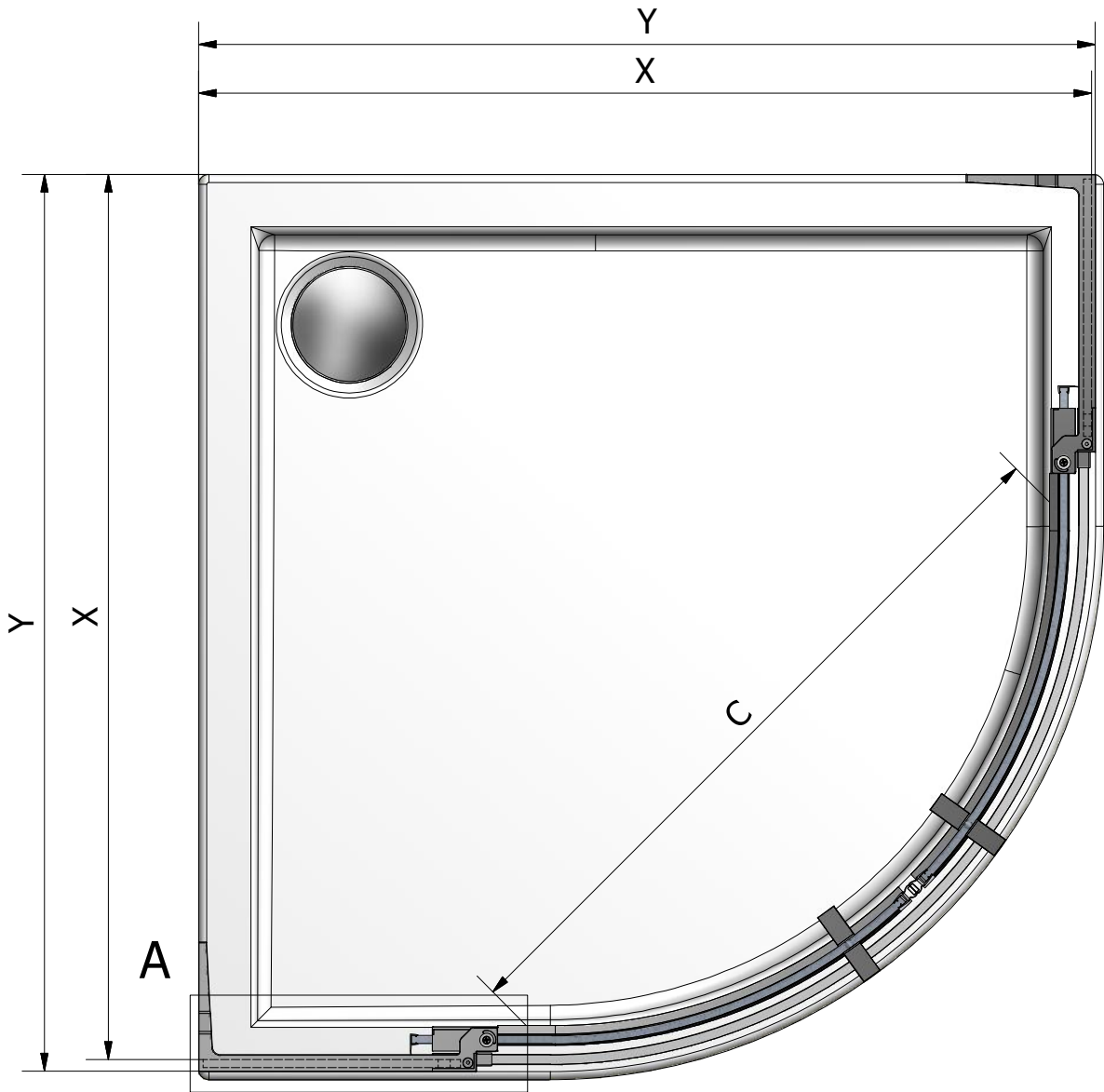
Elegant Neo GR2N

Roth

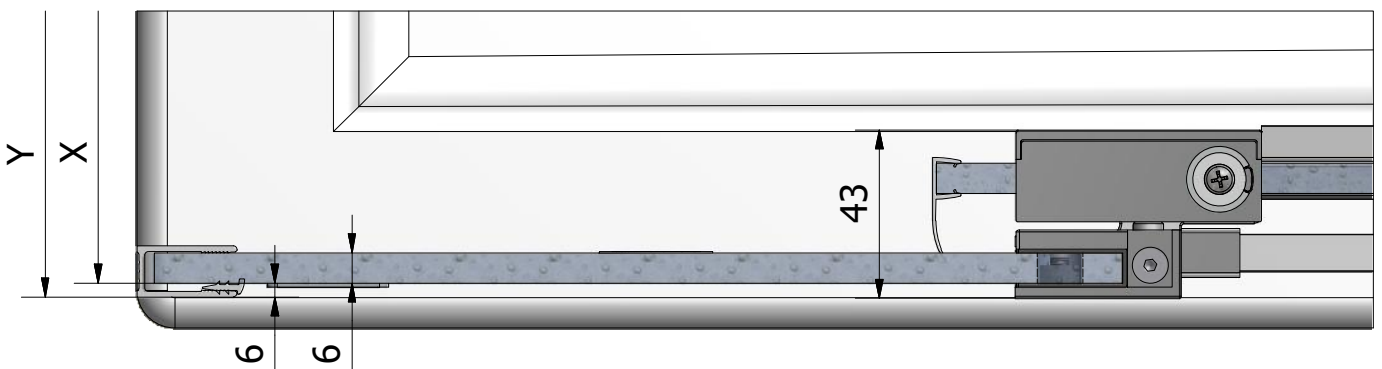
**Montageanleitung
Assembling Instruction
Montážní návod**



Shower for life



A

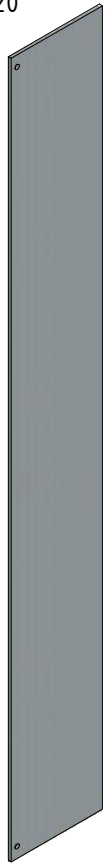


GR2N			
Size	Y	X	C
900-1000	885-985	879-979	710-900
1000-1100	985-1085	979-1079	860-1050

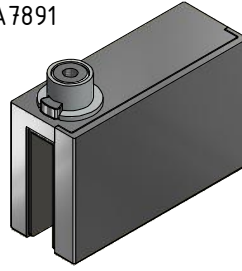
1. 2x
V222



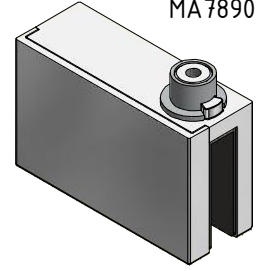
2. 2x
V220



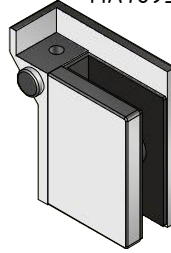
3. 2x LEFT
MA7891



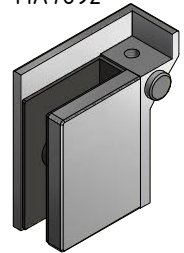
4. 2x RIGHT
MA7890



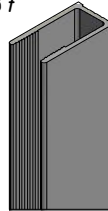
5. 2x LEFT
MA7893



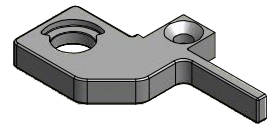
6. 2x RIGHT
MA7892



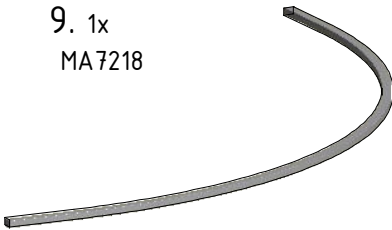
7. 2x
MA7187



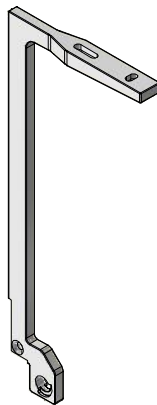
8. 2x
MA7198



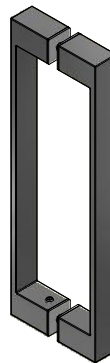
9. 1x
MA7218



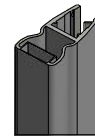
10. 2x
MA7197



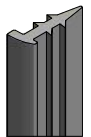
11. 2x
MA7196



12. 2x
MA7219



13. 2x
MA7186



14. 2x
MA7193

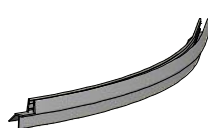


15. 1x
MA7220



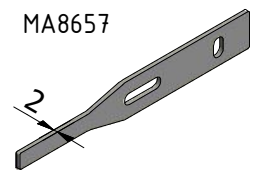
For left door

16. 1x
MA7221

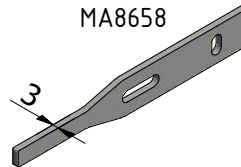


For right door

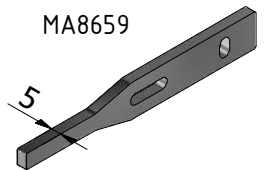
17. 2x
MA8657



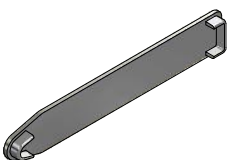
18. 2x
MA8658



19. 2x
MA8659



20. 2x
MA7209



21. 2x
MA7210



22. 2x
MA7215



23. 10x
M0511



24. 10x
M0811



25. 8x
M0827

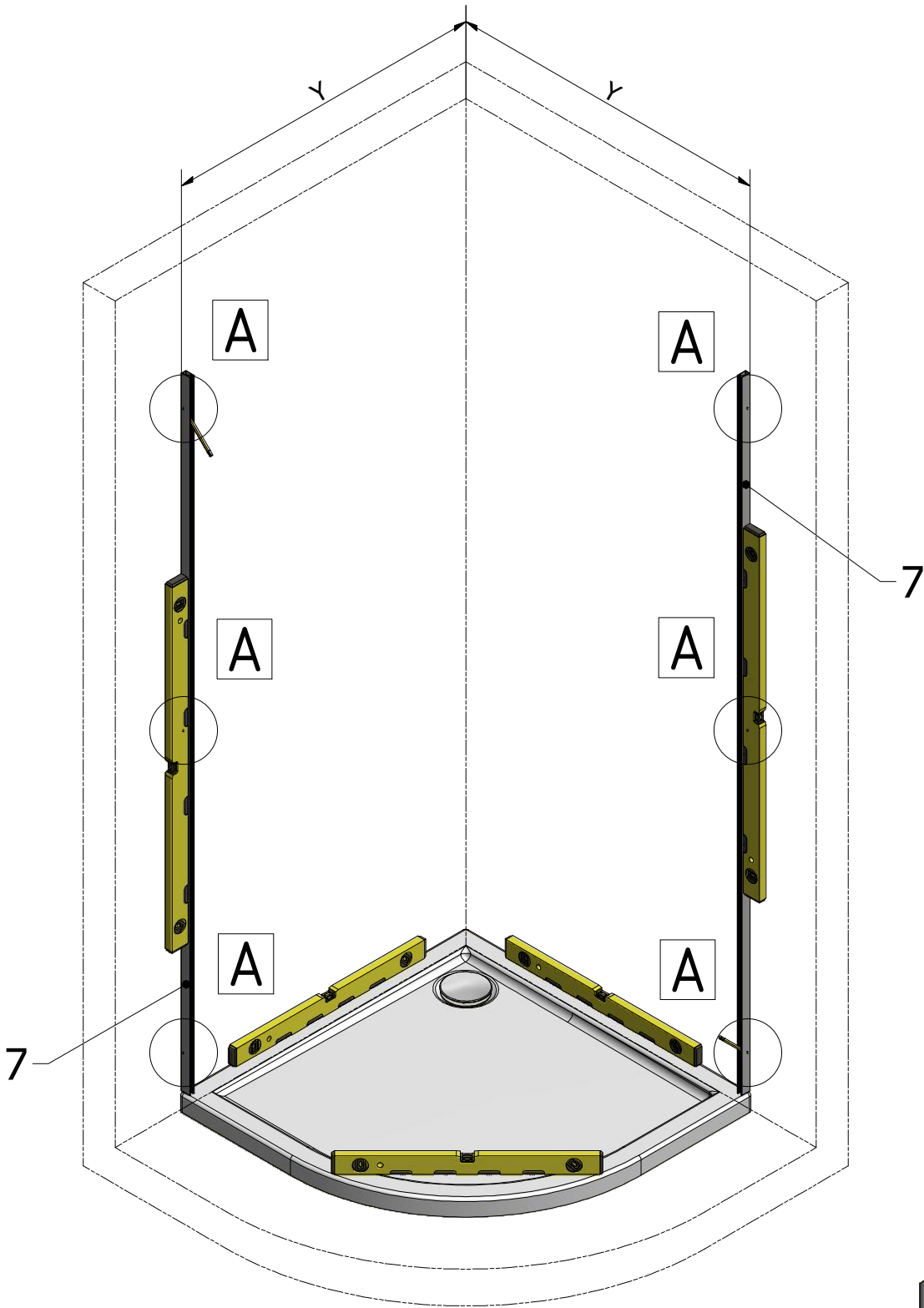


26. 2x
MA7222

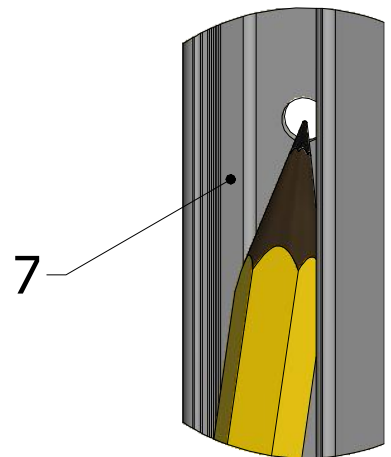


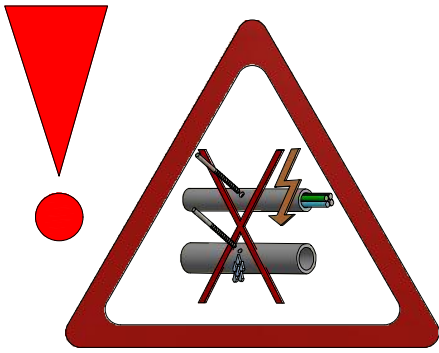
27. 2x
MA7224



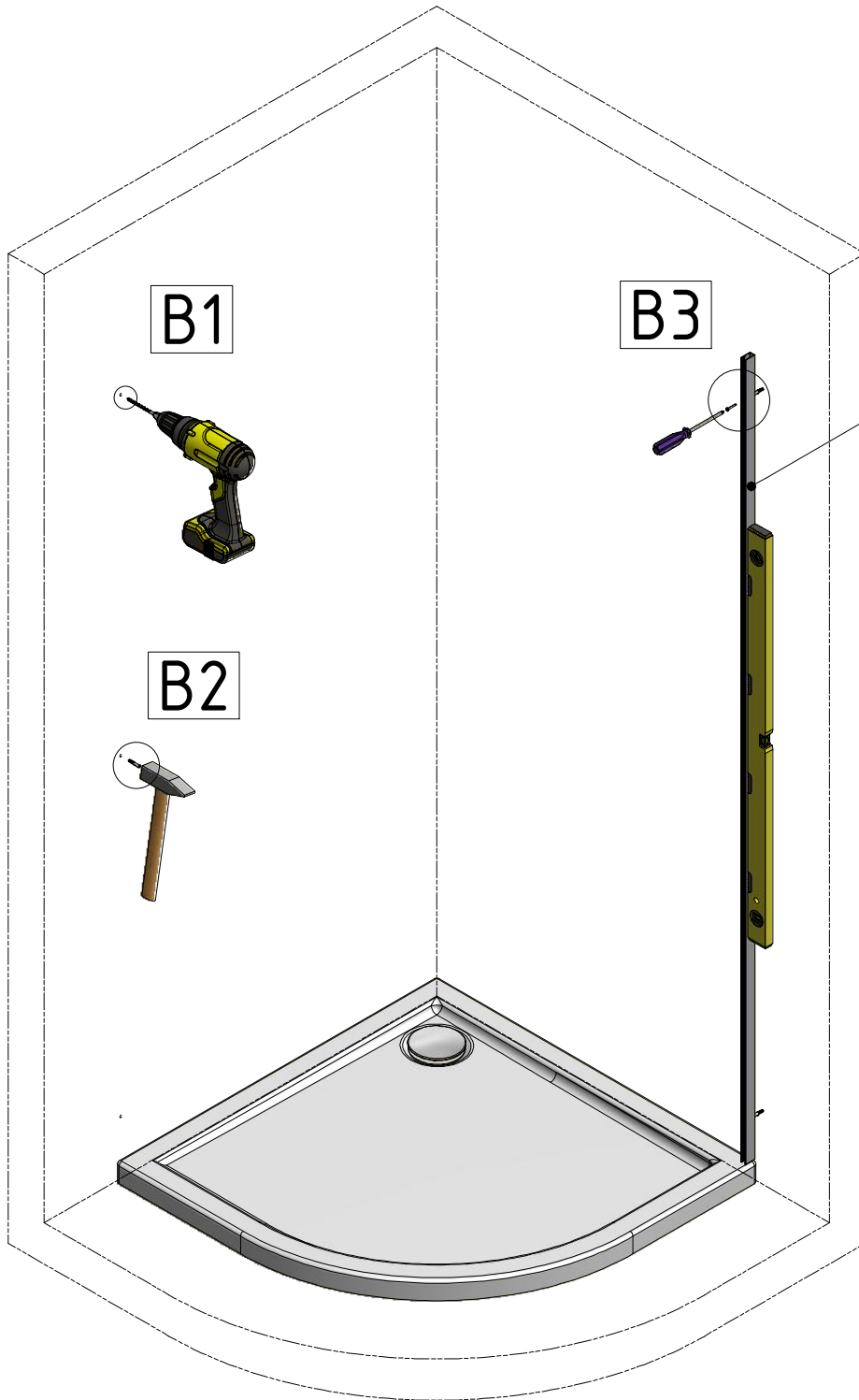
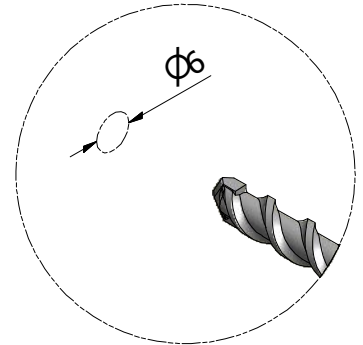


A 6x





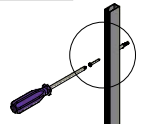
B1 6x



B1



B3

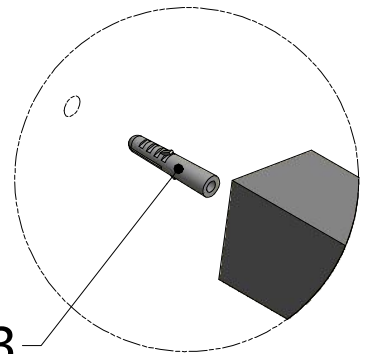


7

B2

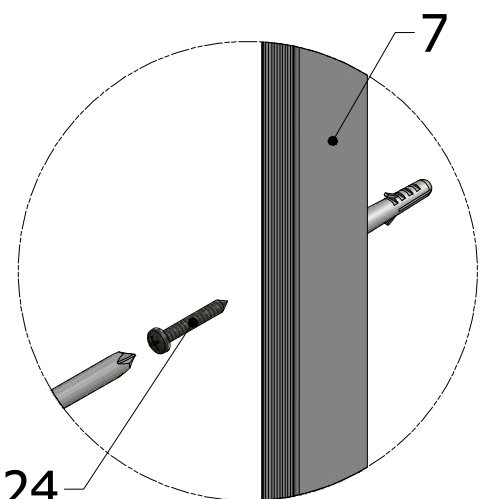


B2 6x

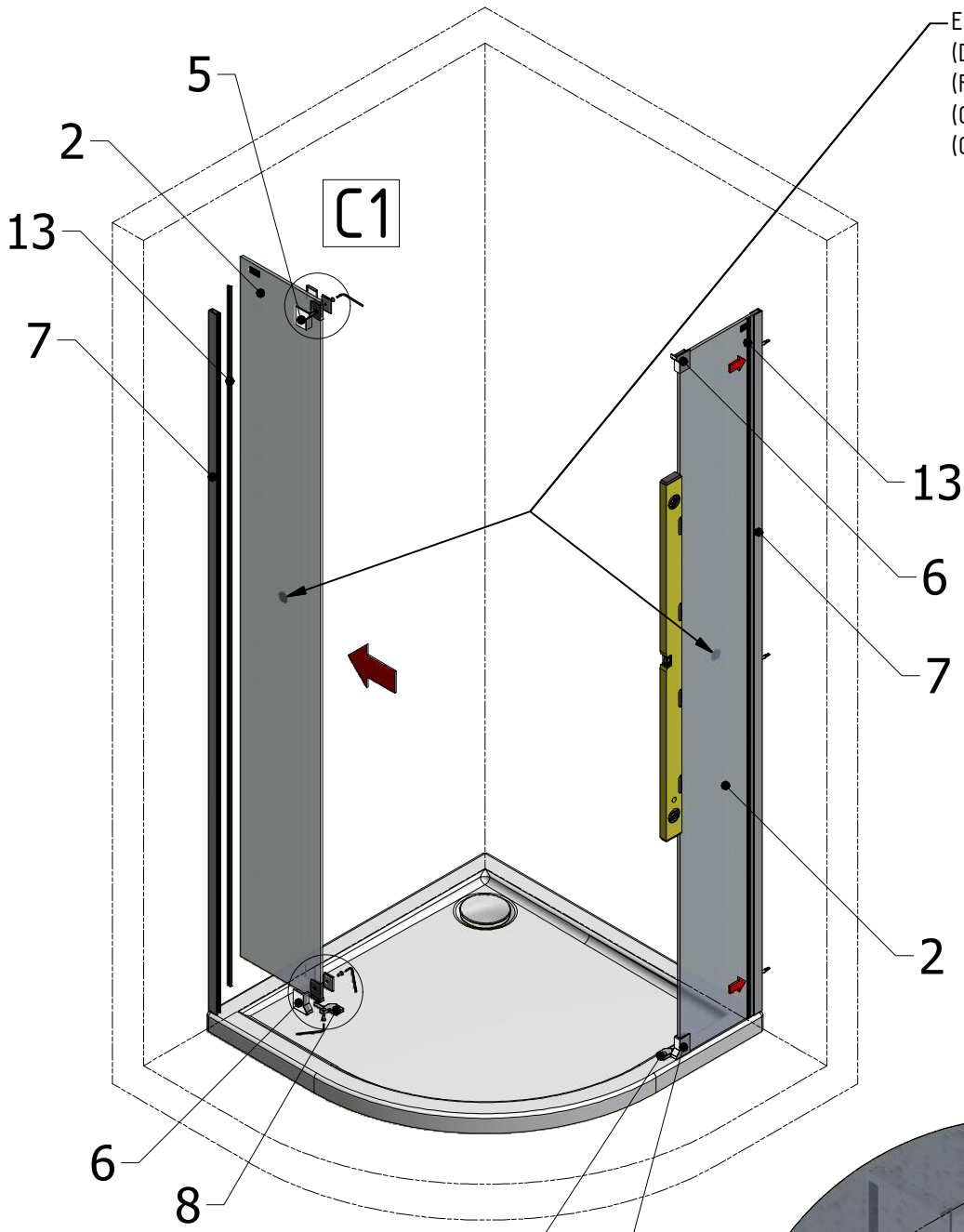


23

B3 6x



24



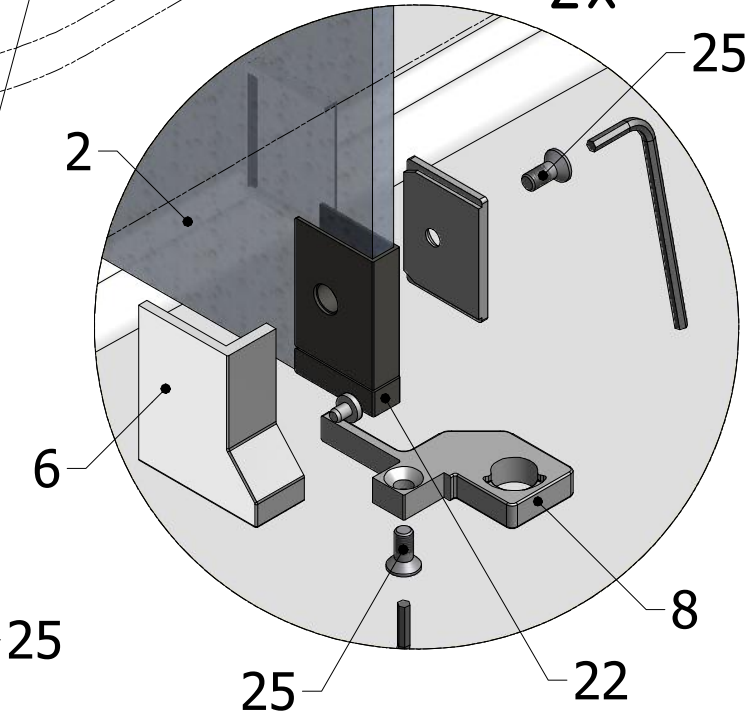
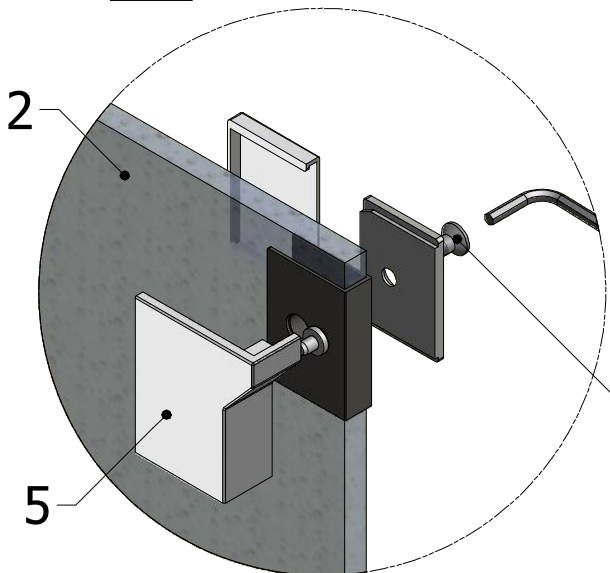
ETC glass protection
 (DE) Behandelten Seite (INNERE)
 (FR) Face traitée (INTERIEUR)
 (GB) Treated side (INTERIOR)
 (CZ) Ošetřená strana (INTERIÉR)

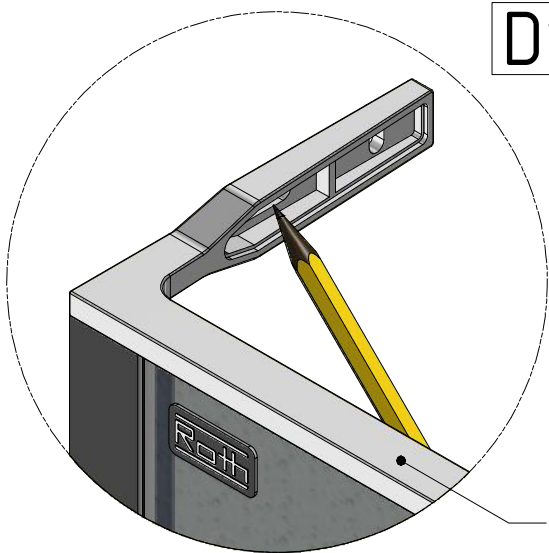


C1 2x

C2

2x

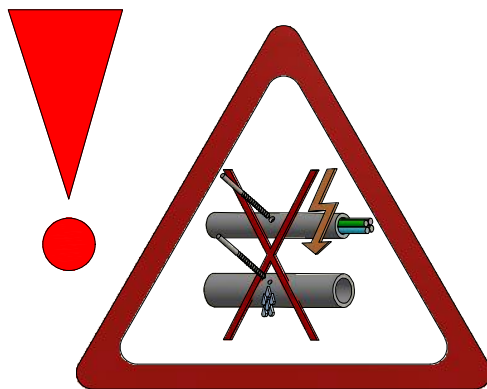




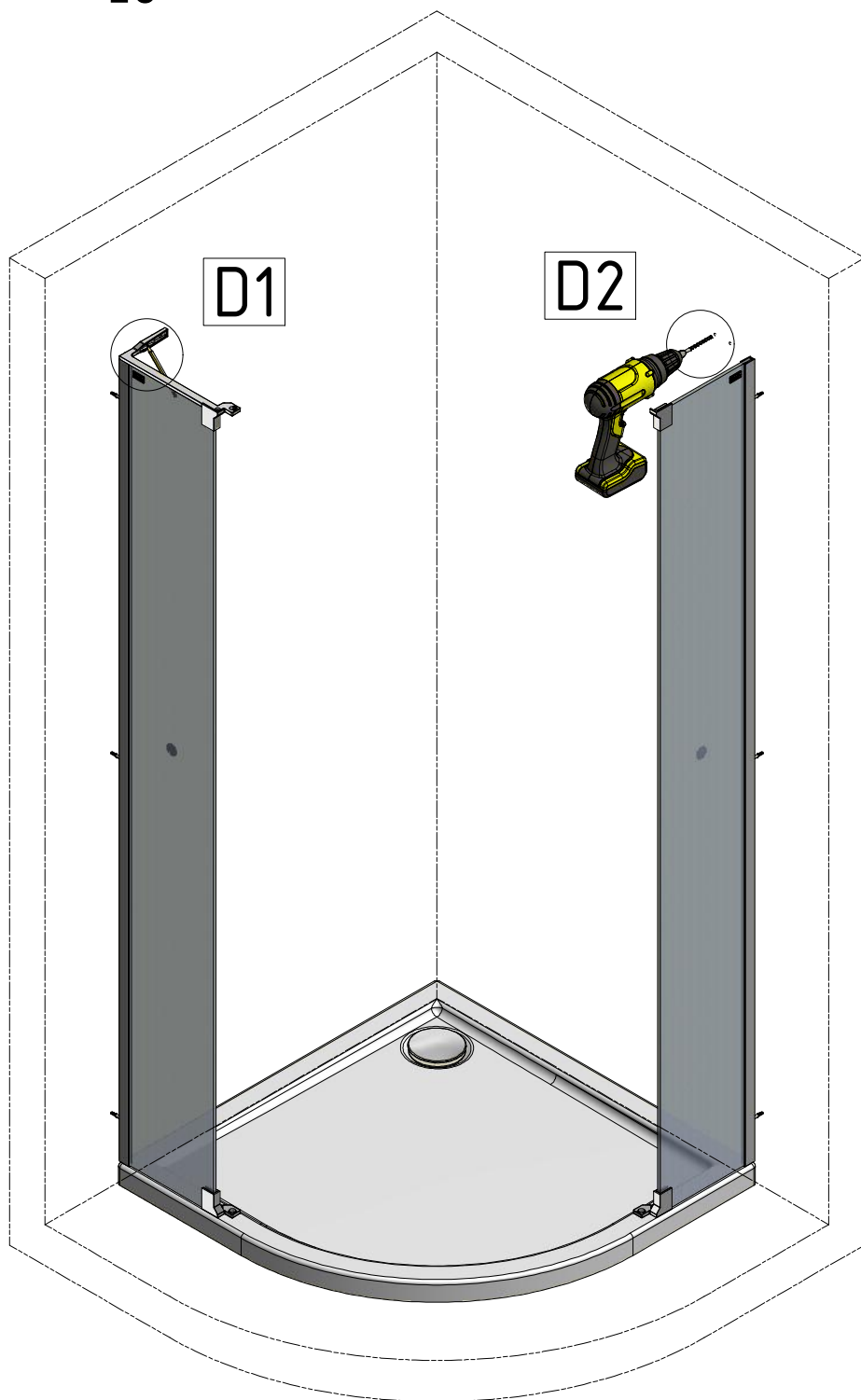
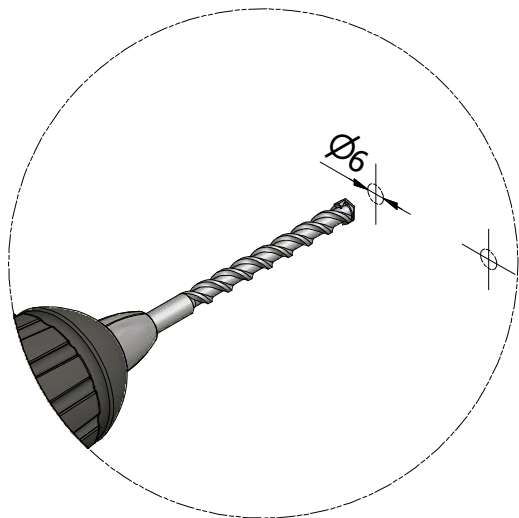
D1

4x

10

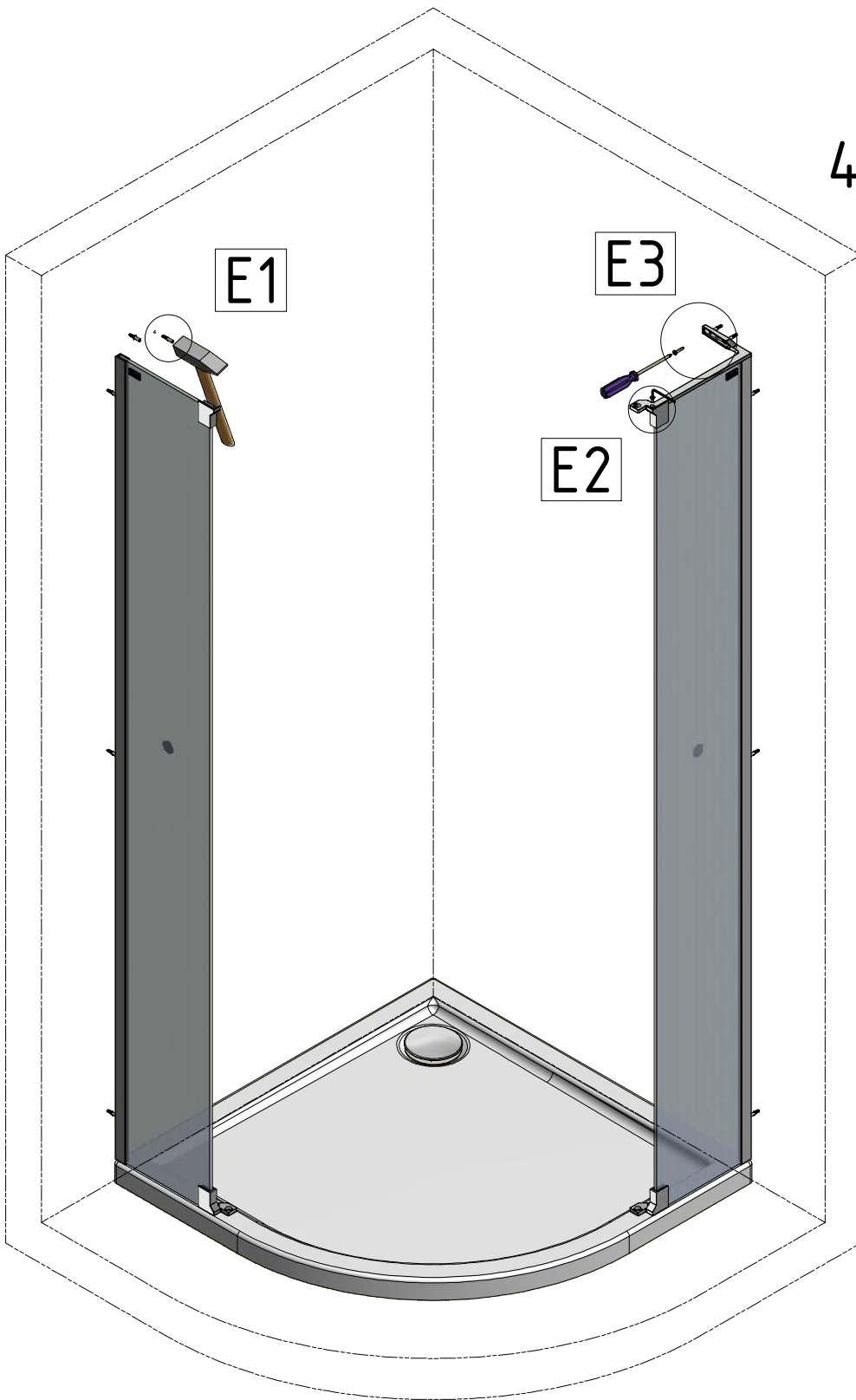


D2 4x



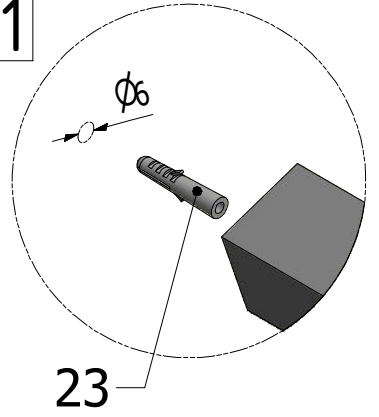
D1

D2



E1

4x



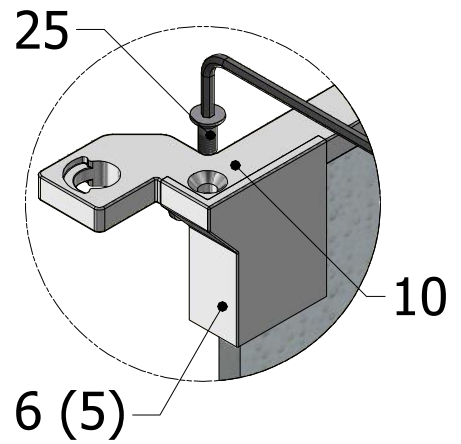
23

E1

E3

E2

E2 2x



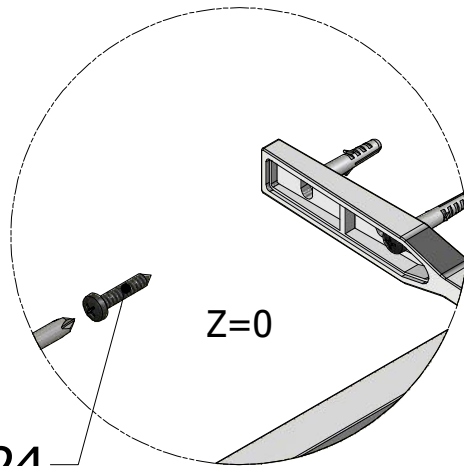
6 (5)

10

17 (Z=2mm)

18 (Z=3mm)

19 (Z=5mm)

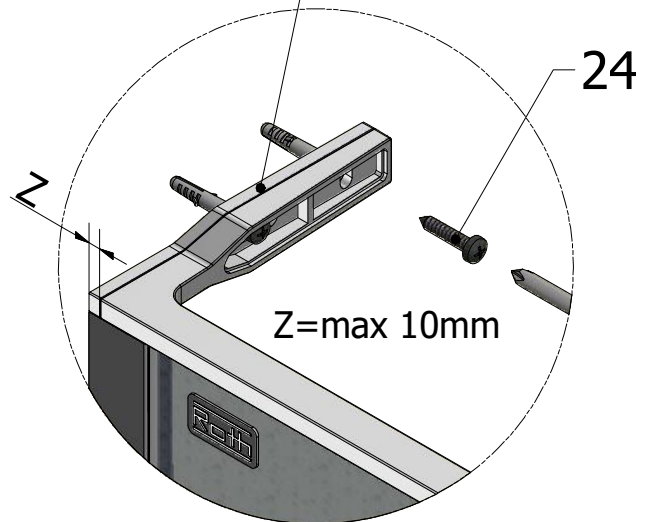


Z=0

24

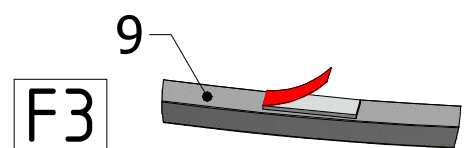
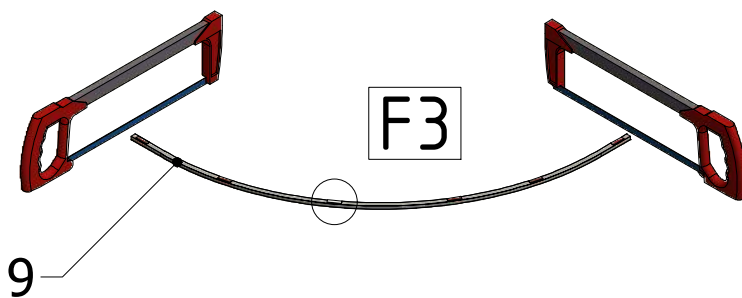
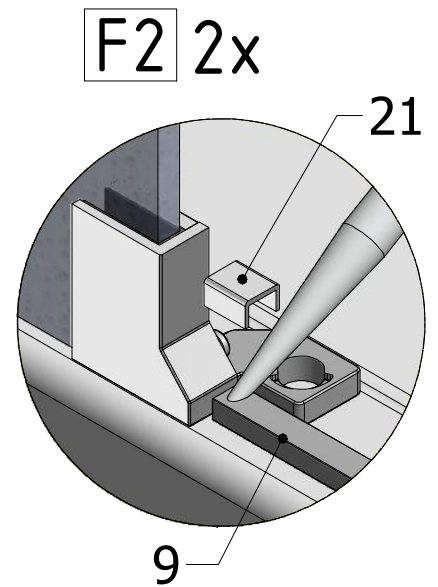
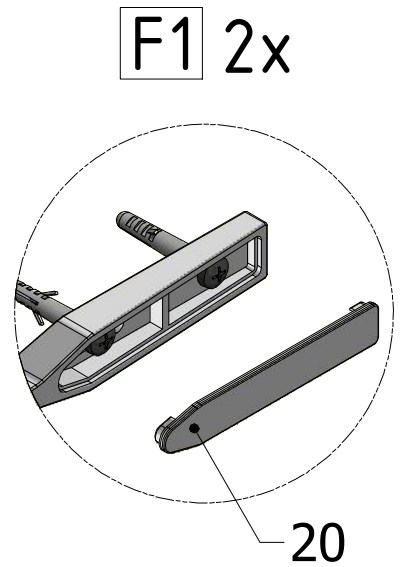
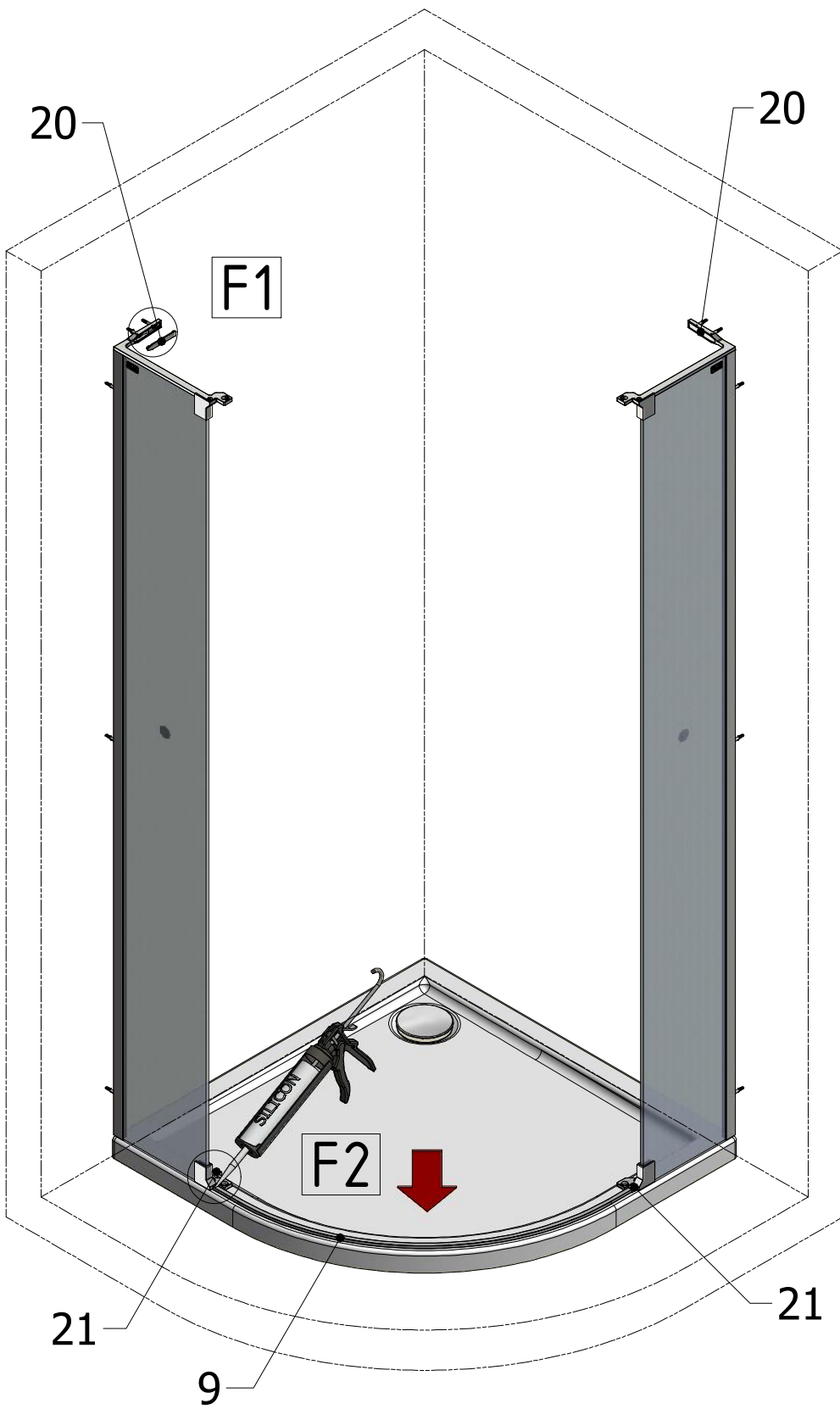
E3

2x

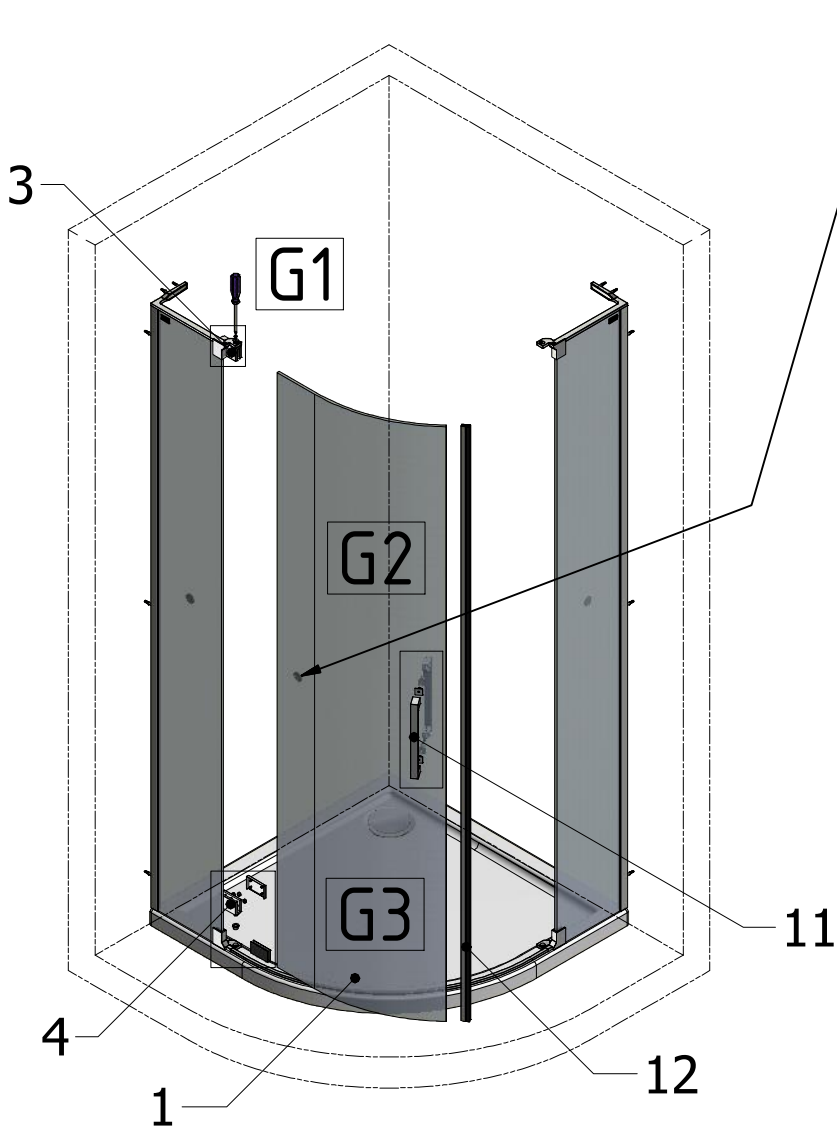


24

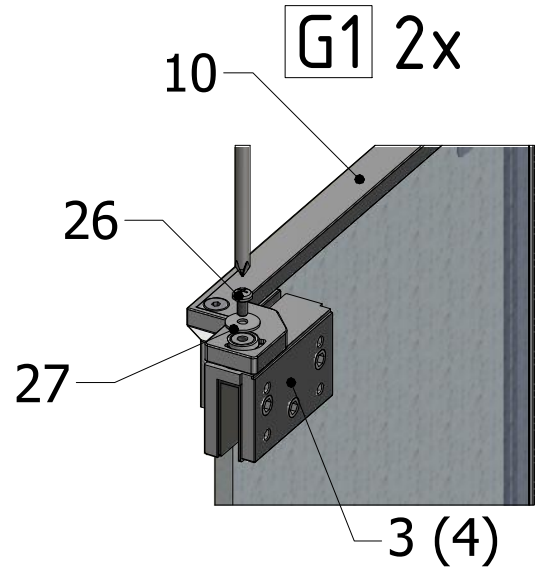
Z=max 10mm



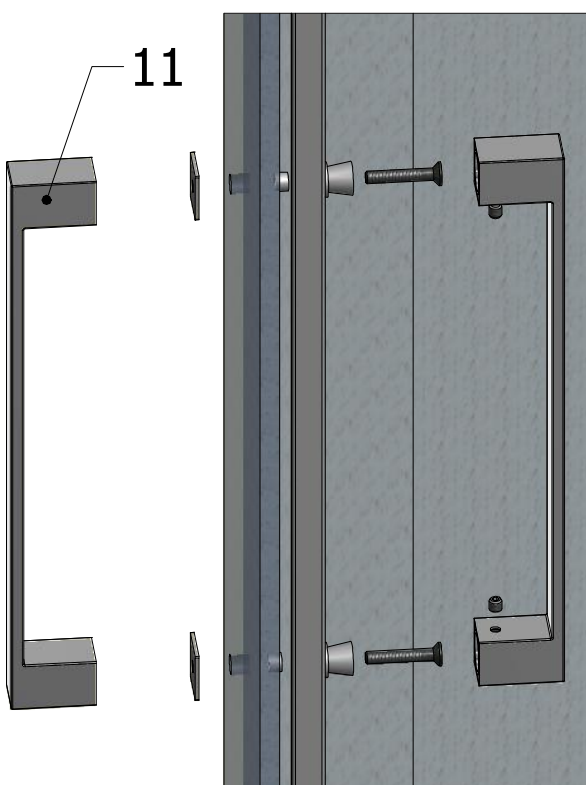
Before installing remove all sticker's cover



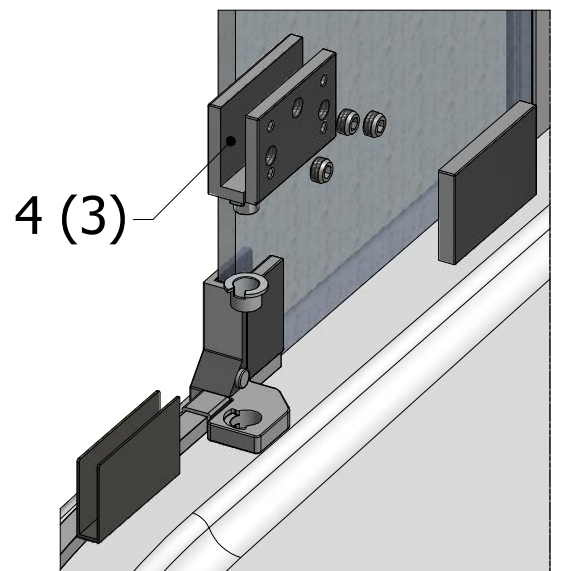
ETC glass protection
 (DE) Behandelten Seite (INNERE)
 (FR) Face traitée (INTERIEUR)
 (GB) Treated side (INTERIOR)
 (CZ) Ošetřená strana (INTERIÉR)

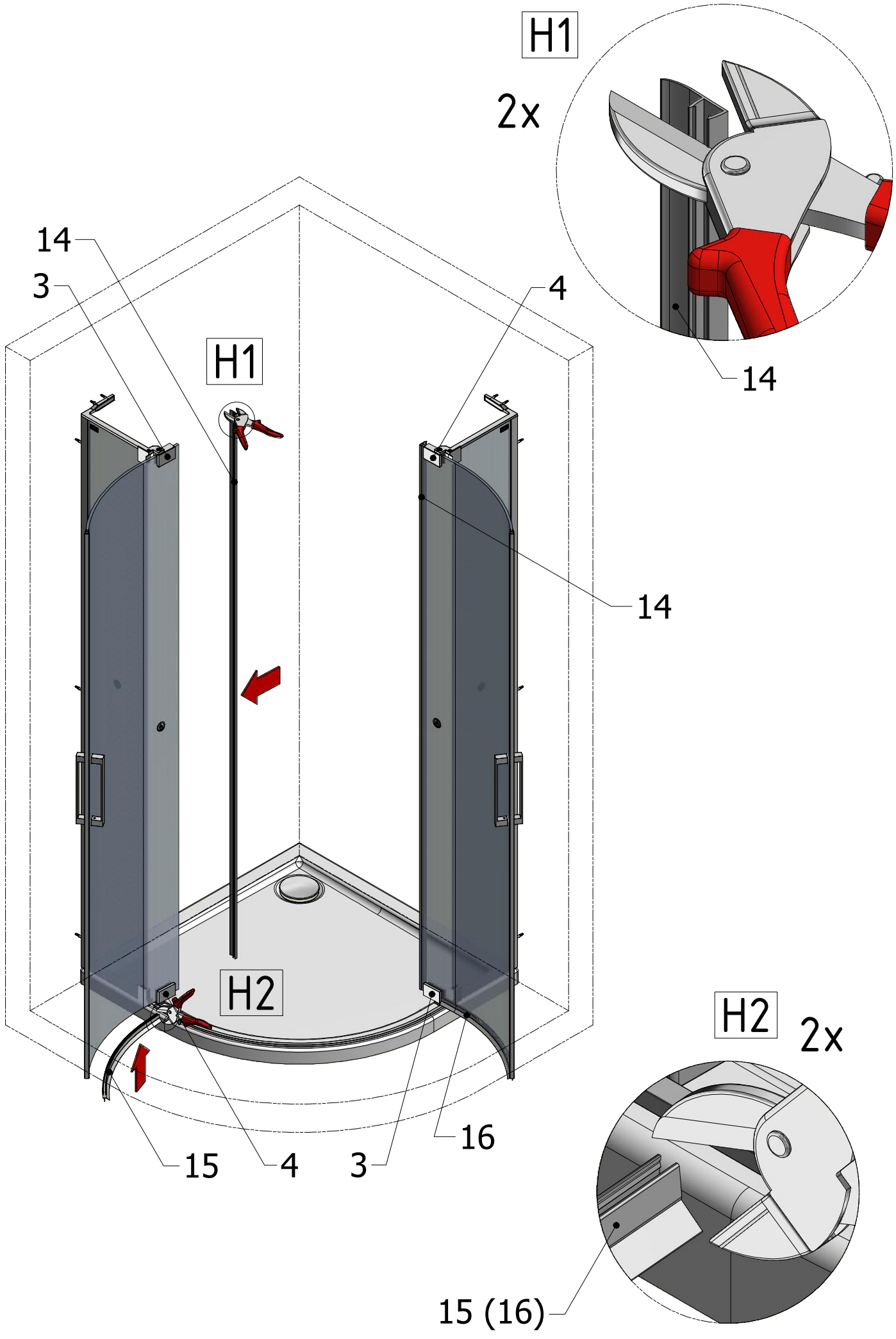


G2 2x



G3 2x

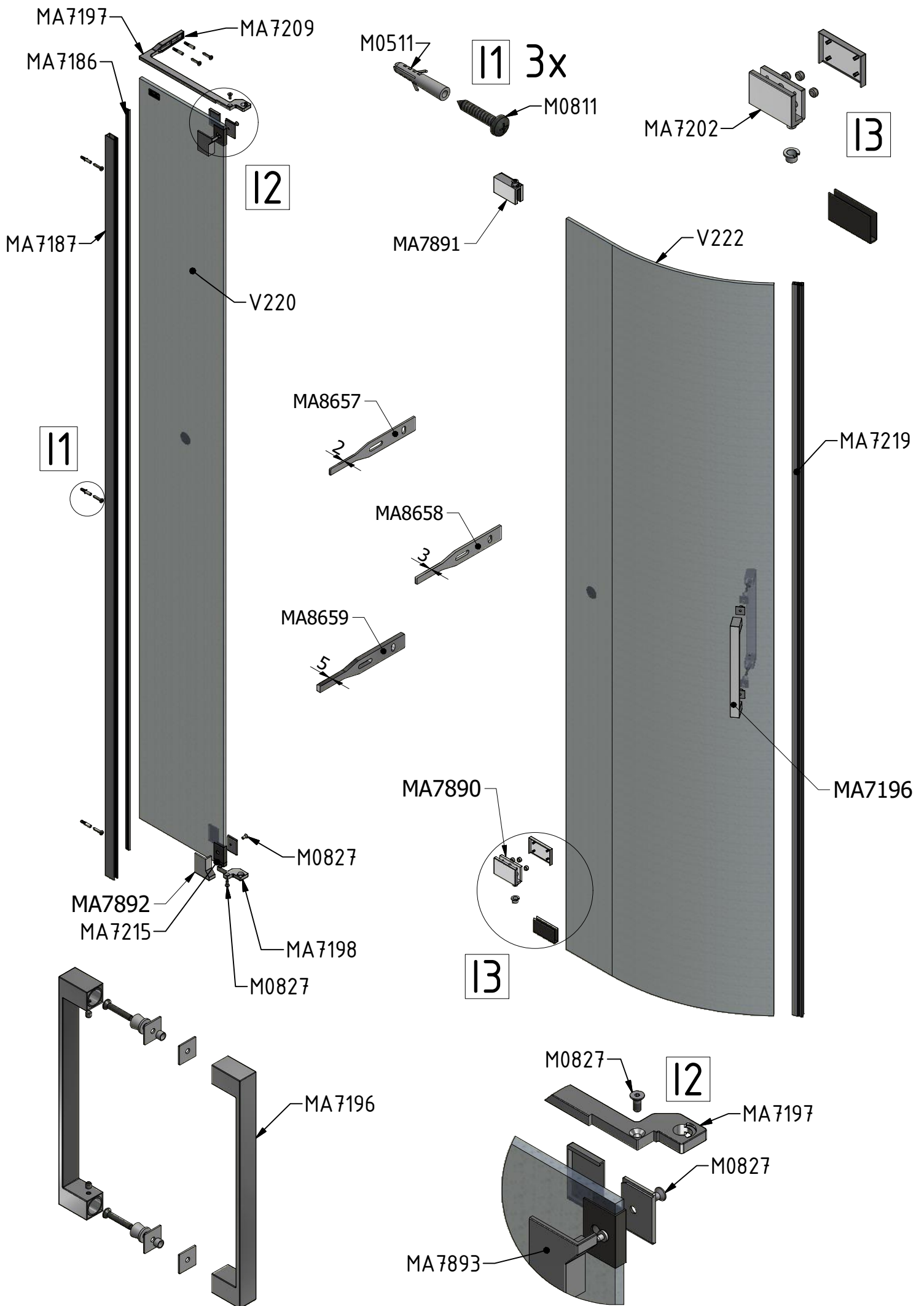






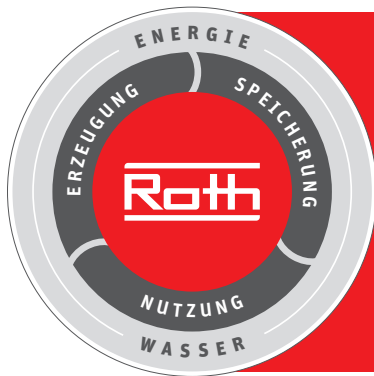
SILICONE

SILICONE



V220	1000;1100	Transparent	ND01-3621
------	-----------	-------------	-----------

V222	1000	Transparent	ND01-3630
	1100		ND01-3631



Roth Energy and Sanitary Systems

Generation

- > Solar systems
- > Heat pump systems
- > Solar heat pump systems

Storage

- Storage systems for
- > Domestic & heating water
 - > Combustibles and biofuels
 - > Rainwater and waste water

Application

- > Radiant heating and cooling systems
- > Pipe installation systems
- > Shower systems

Roth

■ Deutschland

ROTH WERKE GMBH
Am Seerain 2
35232 Dautphetal
Telefon: 06466/922-0
Telefax: 06466/922-100
E-Mail: service@roth-werke.de
www.roth-werke.de

■ Czech Republic

Roth Czech s.r.o.
Třebořov 160
569 33 Třebořov
Tel.: +420 461 324 301
Fax.: +420 461 324 297
E-Mail: objednavky@roth-czech.cz
www.roth-czech.cz