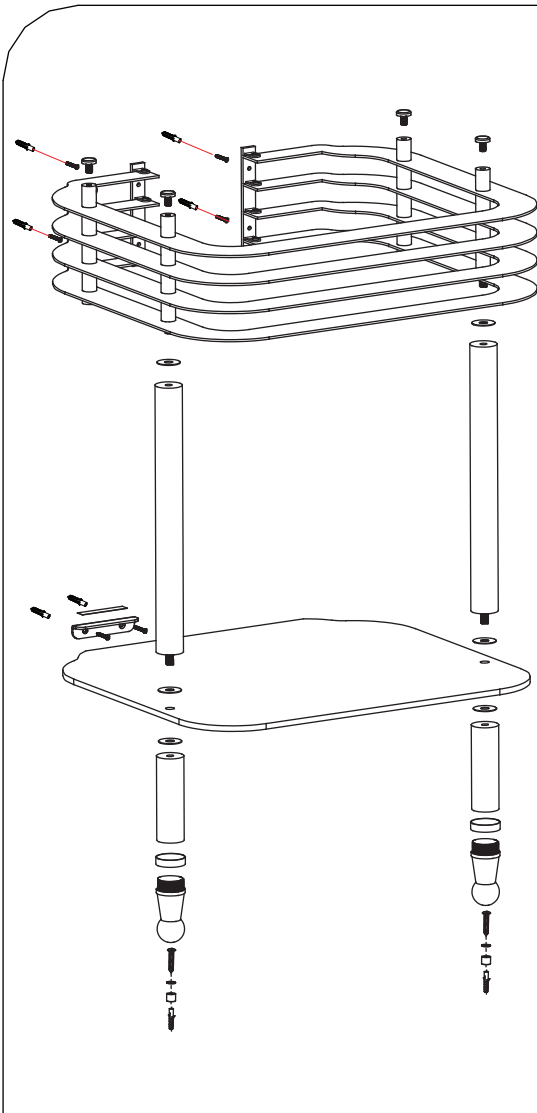


# ARCADÉ™

Arcade floor stand for 600mm basin inc glass shelf  
 Arcade floor stand for 900mm basin inc glass shelf  
 Arcade floor stand for 1200mm double basin inc glass shelf

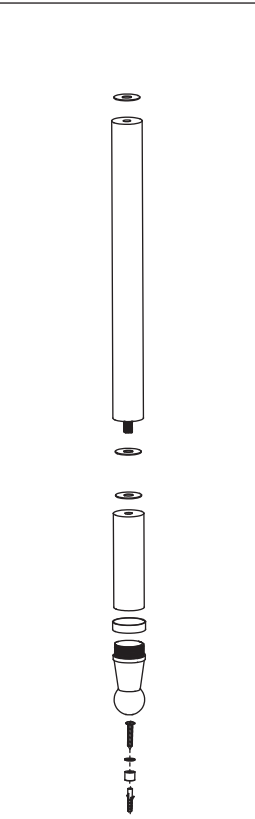
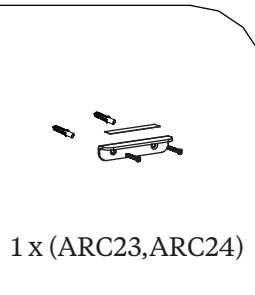
ARC22, ARC22 CHR  
 ARC23, ARC23 CHR  
 ARC24, ARC24 CHR

## Parts supplied:

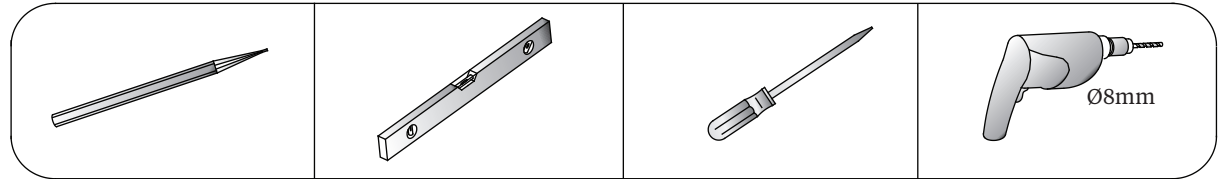


3mm Allen Key x 1

## Additional Parts:



## Tools required:

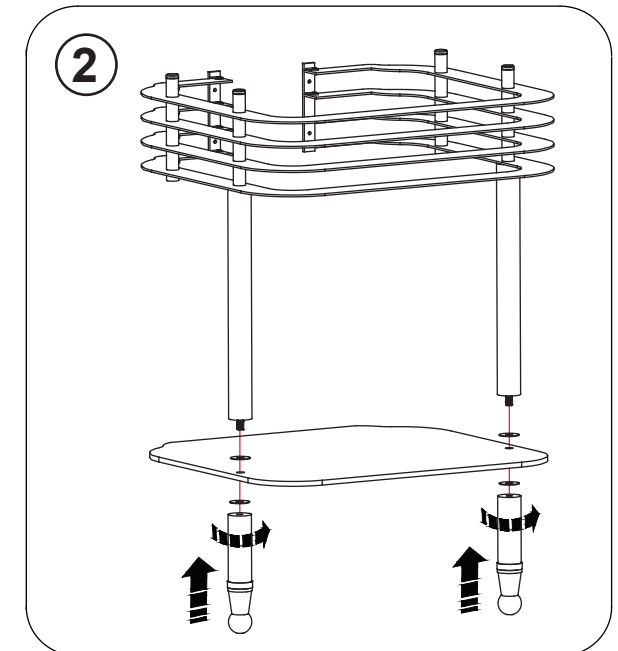
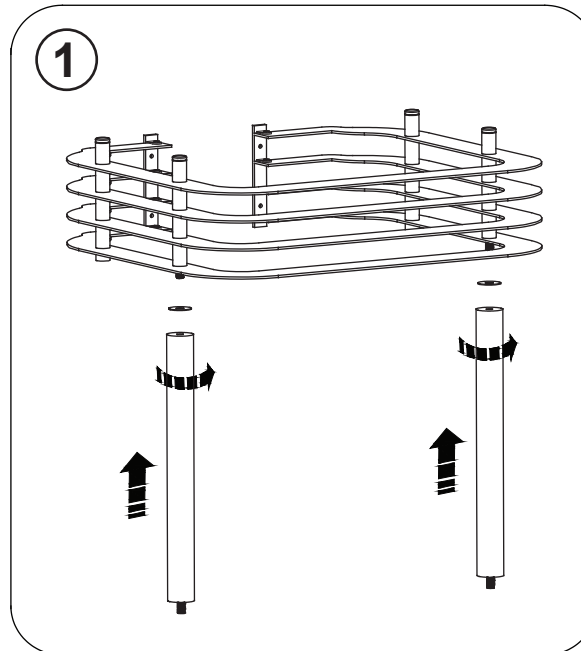


## Important

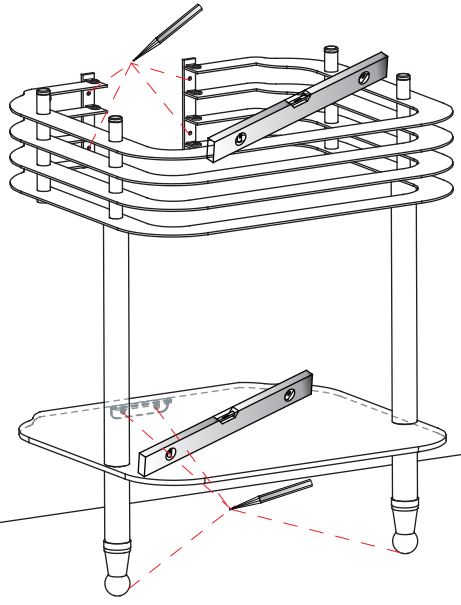
- Please unwrap and check it carefully to ensure it has not been damaged in handling or transport.
- Please check that all parts have been supplied.
- Assemble basin stand on a mat to protect against scratch the surface.
- Installation should be completed by at least two suitably competent installers.
- The wall fixings supplied may not be suitable for your installation. You may need to source alternatives depending on the material and strength of the wall you are fixing to.
- Please dispose of packaging in a responsible manner.

## Maintenance

Clean with a damp cloth and washing up liquid or other mild detergent. Do not use strong detergents or cleaners containing abrasives which may scratch the surface.

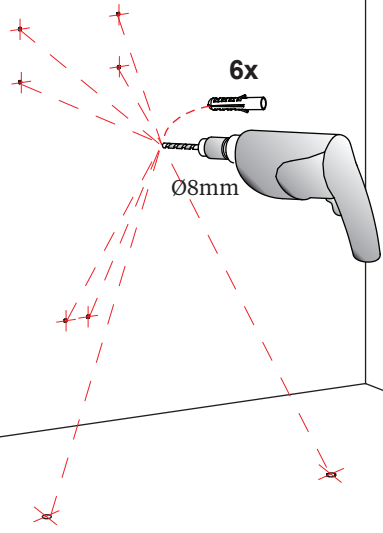


3

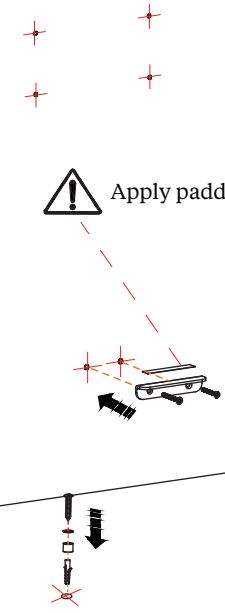


Please lift the glass up to avoid damages to the glass.

4



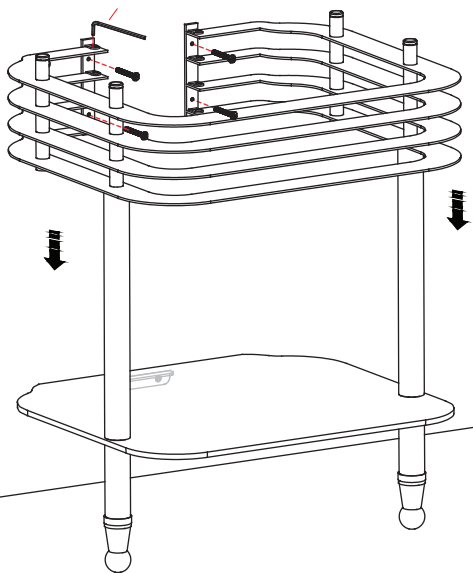
5



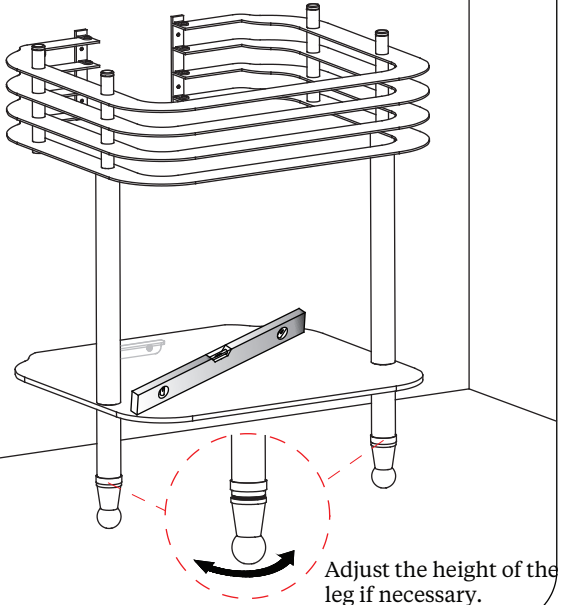
Apply padding if necessary.

6

Tighten the screws if necessary.



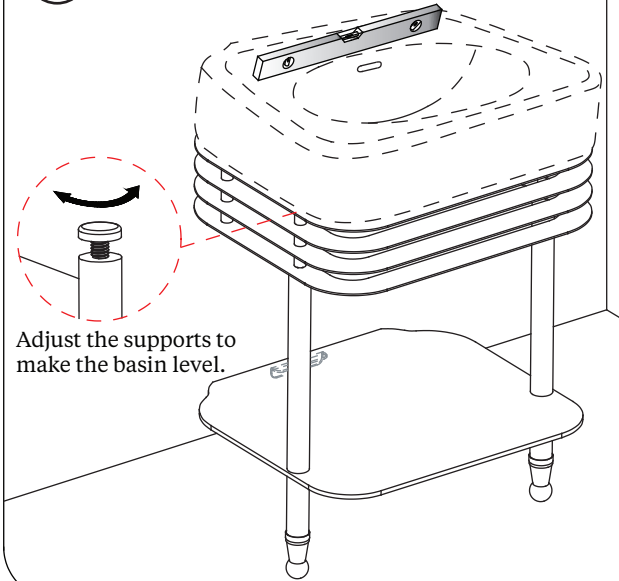
7



Adjust the height of the leg if necessary.

8

Mount the basin in position. The basin must be fixed to the wall using wall fixing.



Adjust the supports to make the basin level.